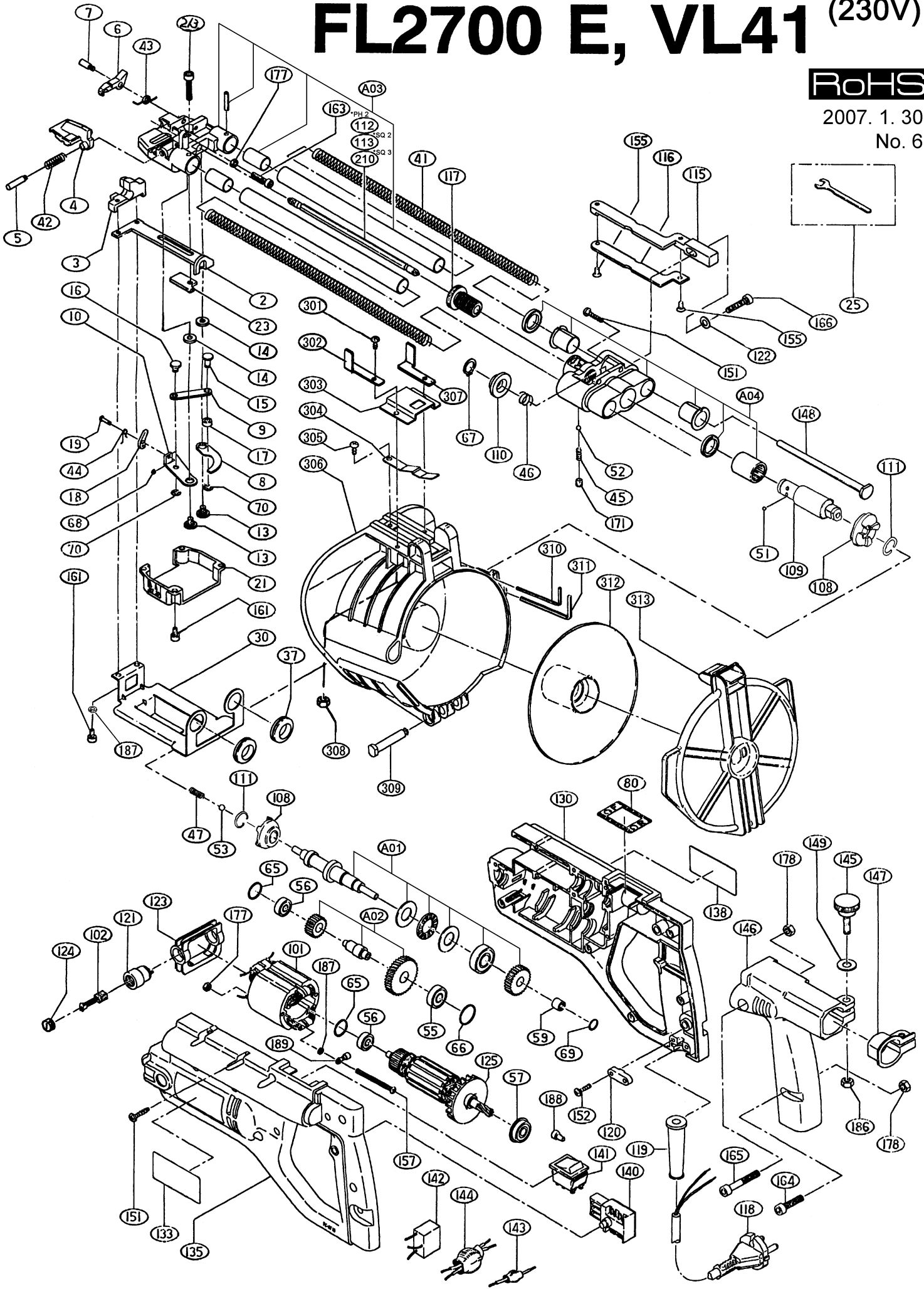


FL2700 E, VL41 (230V)

RoHS

2007. 1. 30

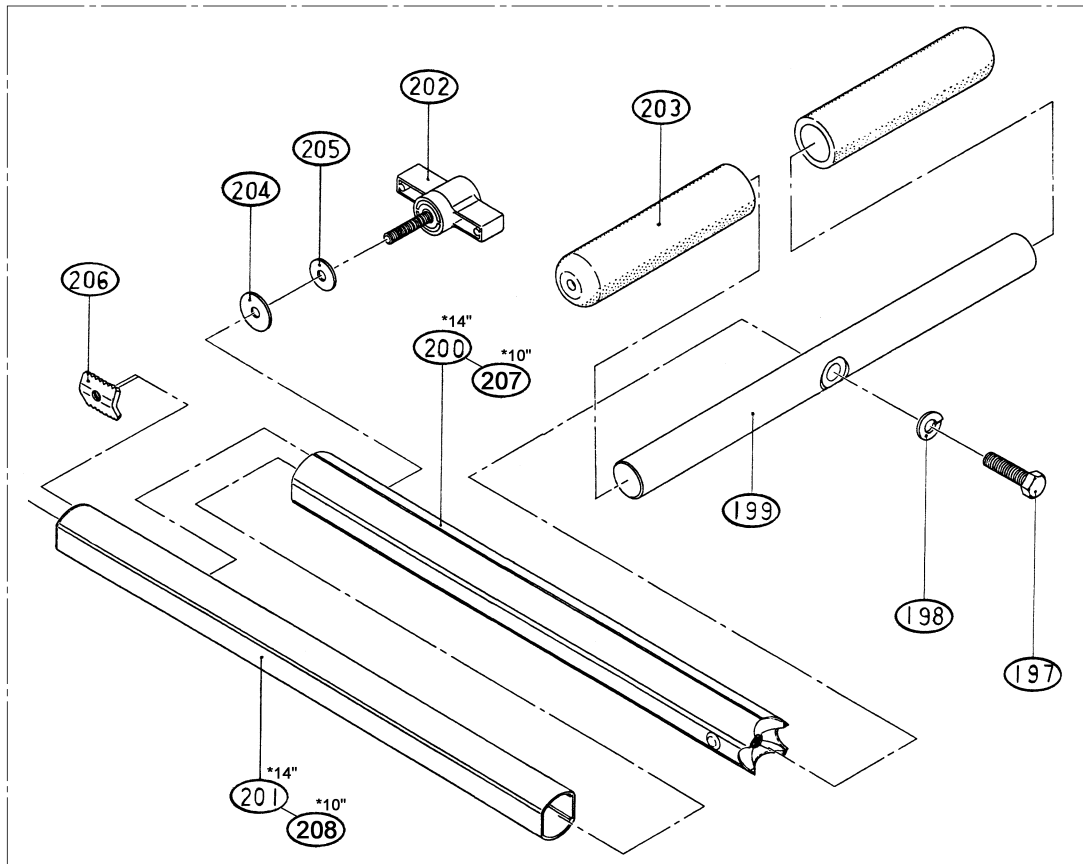
No. 6



SPECIAL ACCESSORIES

2007. 1. 30
No. 3

ROD HANDLE for VL41 **RoHS**



Parts List for **FL2700 E (230V), VL41 [RoHS]**

1/3

2007.1.30

901-91232 143-90012 VISLIDER FL2700 E,VL41 (RoHS)

Draw No.	Part No.	MK-No.	Code	Description	Q'ty
A01	A01	901-94700	143-90050	VL41-FL Clutch Assy.(Separable)	1
A02	A02	901-95290	142-90090	VL41-FL Gear Assy	1
A03	A03	901-95300	142-90070	VL41-FL Feeder Assy	1
A04	A04	901-95310	142-90080	VL41-FL Ex-Block Assy	1
2	2	901-12542	142-00022	Adjusting Plate(FL)	1
3	3	901-12585	142-00035	Screw Guide FL-RS	1
4	4	901-12481	128-10041	Guide cover VL41	1
5	5	901-12800	128-80050	Guide cover pin	1
6	6	901-87150	128-00060	MNA,Grip finger	1
7	7	901-12810	128-80070	Grip finger pin	1
8	8	901-10241	101-00372	Link Lever	1
9	9	901-10230	101-00360	Link	1
10	10	901-13210	128-10110	Feed Lever (FL, EF)	1
13	13	901-10261	101-00391	Pin(Feed lever)	2
14	14	901-10180	101-00310	Spacer(Lever)	2
15	15	901-10211	101-00341	Pin(Link)	1
16	16	901-10201	101-00331	Pin(Lever)	1
17	17	901-10221	101-00351	Spacer(Link)	1
18	18	901-12554	142-00184	Feed Latch (L)	1
19	19	901-10131	101-00211	Pin(Feed Latch)	1
21	21	901-87180	128-00210	MNA,Cover	1
23	23	901-12201	128-00231	Clamp Plate	1
25	25	901-10411	101-02581	Spanner	1
30	30	901-12562	142-00302	Magazine Bracket(FL)	1
37	37	901-87910	128-00370	Grommet G-23	2
41	41	901-53270	142-00410	Spring(slide)FL	2
42	42	901-87250	128-00420	MNA, Spring (Cover)	1
43	43	901-87260	128-00430	MNA, Spring (Grip finger)	1
44	44	901-80060	101-00220	Spring(Latch)	1
45	45	901-87280	128-00450	MNA, Spring (Dial)	1
46	46	901-86180	125-00830	Spring (sleeve)	1
47	47	901-86231	125-00901	Spring (clutch)	1
51	51	901-80450	101-00860	Steel ball(3.175)	4
52	52	901-85910	125-00530	Steel ball 4.000	1
53	53	901-80510	101-00920	Steel ball(5.556)	1
55	55	901-85950	125-00570	Ball bearing 608VV	1
56	56	901-86010	125-00610	Ball bearing 606VV	2
57	57	901-87570	128-00570	Flange ball bearing (F608VV)	1
59	59	901-87590	128-00590	Needle bearing (HK0609T2)	1
65	65	901-86021	125-00621	O ring P16 Nitrile	2
66	66	901-85941	125-00561	O ring P22 Nitrile	1
67	67	901-87670	128-00670	C-Type ring (No.10)	1
68	68	901-80071	101-00241	E ring(2)	1
69	69	901-87870	128-00690	O Ring(P10)	1
70	70	901-80081	101-00261	E ring(4)	2
80	80	901-87880	128-00800	MNA,Label A	1
101	101	901-87102	129-01012	STATOR ASSY E TYPE	1
102	102	901-86131	125-00761	Carbon Brush kosoku	2
108	108	901-13370	152-11200	Clutch-S(62.41.32)	2
109	109	901-56021	152-01161	Socket Shaft(62.41.32)	1
110	110	901-86761	128-01101	Sleeve	1
111	111	901-56540	142-01110	Snap Ring 0.8(Clutch)	2
112	112	901-81342	121-02512	Bit NO.2 Phillips L=206 MURO Mark	1
113	113	901-81366	121-02536	BIT NO,2 SQUARE L=207.5 Taper2 MURO Mark	1
115	115	901-12593	142-01153	Stopper Block(L)	1

Parts List for **FL2700 E (230V), VL41 [RoHS]**

2/3

2007.1.30

901-91232 143-90012 VISLIDER FL2700 E,VL41 (RoHS)

Draw No.	Part No.	MK-No.	Code	Description	Q'ty
116	116	901-12571	142-01161	Stopper B.Plate(FL)	1
117	117	901-87410	128-01170	MNA,Dial	1
118	118	901-86380	126-01050	Cord(CEE) KP-4819C GTCE-2x1.00	1
119	119	901-86360	125-01040	Cord guard Kosoku (E-type)	1
120	120	901-86320	125-01000	Cord stopper Kosoku A1030GFL, HT-150	1
121	121	901-86140	125-00770	Brush holder Kosoku PB-650BL	2
122	122	901-12251	128-01221	Stopper Washer	1
123	123	901-87490	128-01230	MNA,Brush holder stay	1
124	124	901-86120	125-00750	Brush cap Kosoku (RB-650BL)	2
125	125	901-87081	129-01251	ARMATURE ASSY E TYPE	1
130	130	901-87421	128-01301	MNA,Housing A(PA6 GF30)	1
133	133	MT-0138	128-01330	### Name Plate VL41-E (230V)	1
135	135	901-87431	128-01351	MNA,Housing B(PA6 GF30)	1
138	138	MT-0036	125-00660	### Label(MURO)	1
140	140	901-87500	128-01400	MNA,Switch (TRIGGER) EATON 140BA2-A	1
141	141	901-87510	128-01410	MNA,Switch (REVERSING) ARCOLECTRIC 1560	1
142	142	901-86350	126-01030	Condenser OKAYA:XYE-224472BN	1
143	143	901-86110	126-00740	Choke Coils SN5-400	2
144	144	901-86340	126-01020	Choke Coils SC-02-D100	1
145	145	901-87482	128-01452	MNA,Knob 1/4"-20(KN4C)-RoHS	1
146	146	901-87441	128-01461	MNA,Rod handle bracket(PA6-GF30)	1
147	147	901-87450	128-01470	MNA,Rod handle stopper	1
148	148	901-54280	142-02600	Spring guide pin FL	2
149	149	901-87471	128-01491	MNA,Knob Washer-RoHS	1
151	151	901-87693	128-01513	Bind Head PLAX 4x20	16
152	152	901-87702	128-01522	Bind head tap screw(4x14 Type2)	2
155	155	901-87731	128-01551	Countersunk H screw(M4x8)	2
157	157	901-87721	128-01571	Pan head machine screw(M4x55)	1
161	161	901-87740	128-01610	Cap screw (M4x8)	6
163	163	901-87761	128-01631	Cap Screw(M4x20)	1
164	164	901-87770	128-01640	Cap screw (M6x25)	1
165	165	901-87780	128-01650	Cap screw (M6x40)	1
166	166	901-87791	128-01661	Cap Screw(M5x25)	1
171	171	901-85930	125-00550	Set screw M6x6	1
177	177	901-80981	101-02111	Nut(M4)	2
178	178	901-87821	128-01781	Hexagon Nut(M6)	2
186	186	901-87890	128-01860	MNA,Hexagon nut 1/4 inch	1
187	187	901-80301	101-00701	Spring Washer(M4)	2
188	188	MT-0021	202-03270	### Connecting sleeve with insulator(CE-2)	3
189	189	MT-0015	202-02230	### Solderless terminal with insulator(TMEV 1.25-4M(R))	1
210	210	901-52413	142-02533	BIT NO,3 SQUARE L=204 Taper2 MURO Mark	1
213	213	901-81861	131-05181	Cap Screw(M5x30)	1

*Assy		901-90981	128-90051	MAGAZINE Assy. VL41-FD (RoHS)	1
301	301	901-53261	128-02121	Pan head screw(M4x30)	2
302	302	901-12631	128-01951	Magazine Stopper R(VL41)	1
303	303	901-12221	128-00321	Magazine Holder	1
304	304	901-12232	128-00332	M, Spring Plate (Strong)	1
305	305	901-87702	128-01522	Bind head tap screw(4x14 Type2)	1
306	306	901-87200	128-00310	MNA,Magazine	1
307	307	901-12621	128-01941	Magazine Stopper L(VL41)	1
308	308	901-80981	101-02111	Nut(M4)	2
309	309	901-87230	128-00360	MNA,Hinge pin	1
310	310	901-86440	125-01250	L Wrench (3.0)	1
311	311	901-87840	128-01850	L-Wrench 4.0	1

Parts List for **FL2700 E (230V), VL41 [RoHS]**

3/3

2007.1.30

901-91232 143-90012 VISLIDER FL2700 E,VL41 (RoHS)

Draw No.	Part No.	MK-No.	Code	Description	Q'ty
312	312	901-87220	128-00350	MNA, Magazine inner	1
313	313	901-87210	128-00340	MNA, Magazine lid	1

***Assy** 906-90902 VISRH902 Extension Handle without Bracket 14" to 19" FOR VL41 1

197	197	901-88330	140-01970	MNA, Bolt	1
198	198	901-88340	140-01980	MNA, Lock washer	1
199	199	901-88350	140-01990	MNA, Handlebar	1
200	200	901-88360	140-02000	MNA, Outer shaft 14"	1
201	201	901-88370	140-02010	MNA, Inner shaft 14"	1
202	202	901-88380	140-02020	MNA, Torque knob	1
203	203	901-88390	140-02030	MNA, Grip	2
204	204	901-88400	140-02040	MNA, Plastic washer	1
205	205	901-88410	140-02050	MNA, Washer	1
206	206	901-88420	140-02060	MNA, Lock plate	1

***Assy** 906-90904 VISRH904 Extension Handle without Bracket for Japan Spec. 10" to 1 1

197	197	901-88330	140-01970	MNA, Bolt	1
198	198	901-88340	140-01980	MNA, Lock washer	1
199	199	901-88350	140-01990	MNA, Handlebar	1
202	202	901-88380	140-02020	MNA, Torque knob	1
203	203	901-88390	140-02030	MNA, Grip	2
204	204	901-88400	140-02040	MNA, Plastic washer	1
205	205	901-88410	140-02050	MNA, Washer	1
206	206	901-88420	140-02060	MNA, Lock plate	1
207	207	901-88361	140-02001	MNA, Outer shaft 10"	1
208	208	901-88371	140-02011	MNA, Inner shaft "10	1

- NOTE -

***Assy** : Can be supplied in assembly.

Subject to change without notice